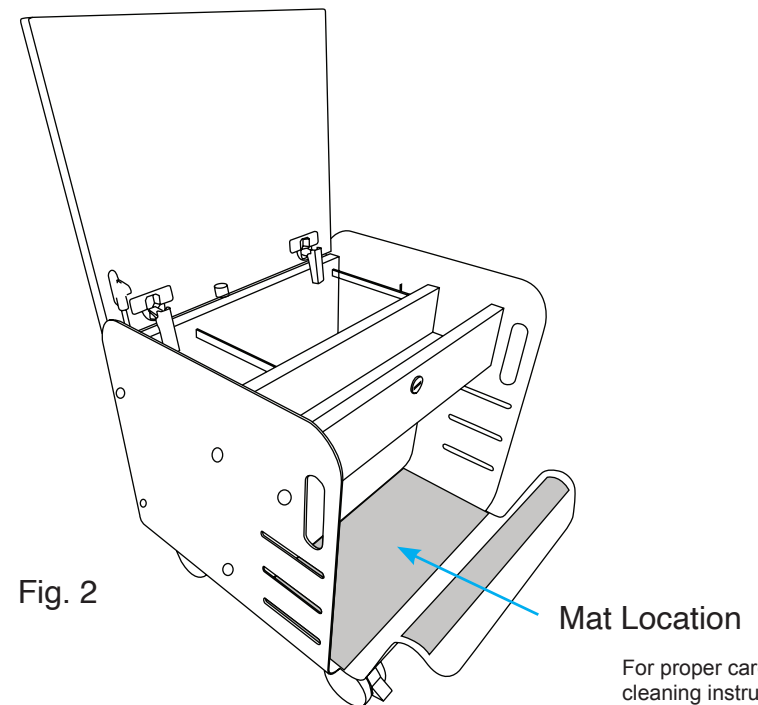
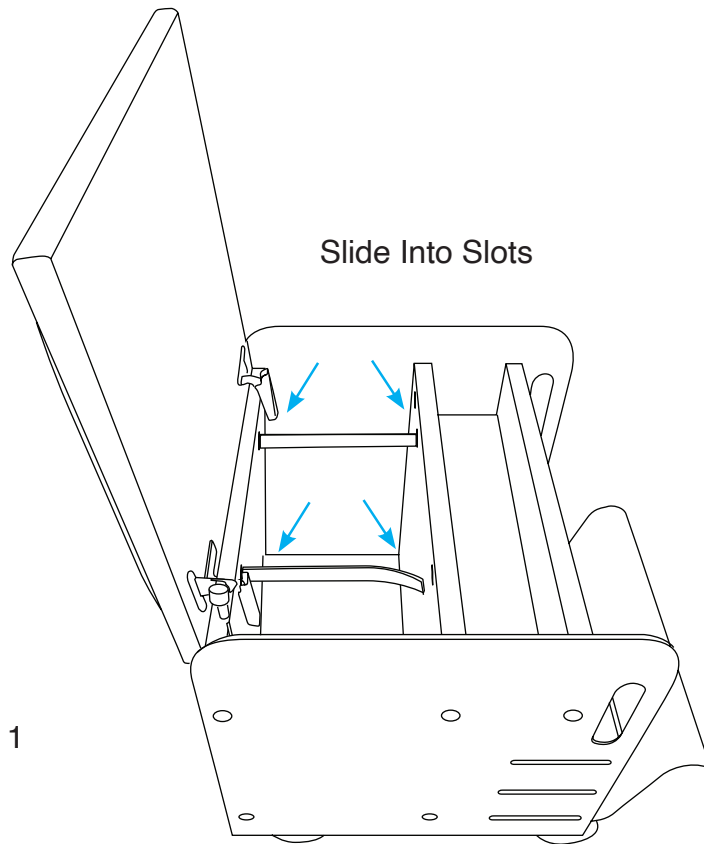
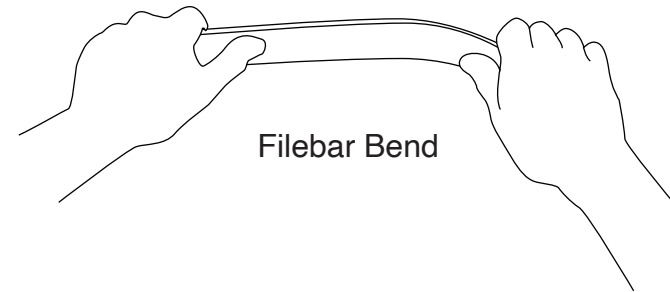
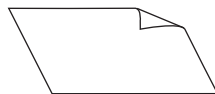


1. Open lid.
2. Insert end of filebar into slot on back panel. Gently bend filebar and insert other end in corresponding slot on front panel, being careful not to scratch the panel. Repeat for the remaining filebar. Fig. 1
3. Place mat in bottom of front compartment. Fig. 2



Hardware Included:



For proper care and cleaning instructions visit <http://go2wfh.com/resources>