



Assembly Video

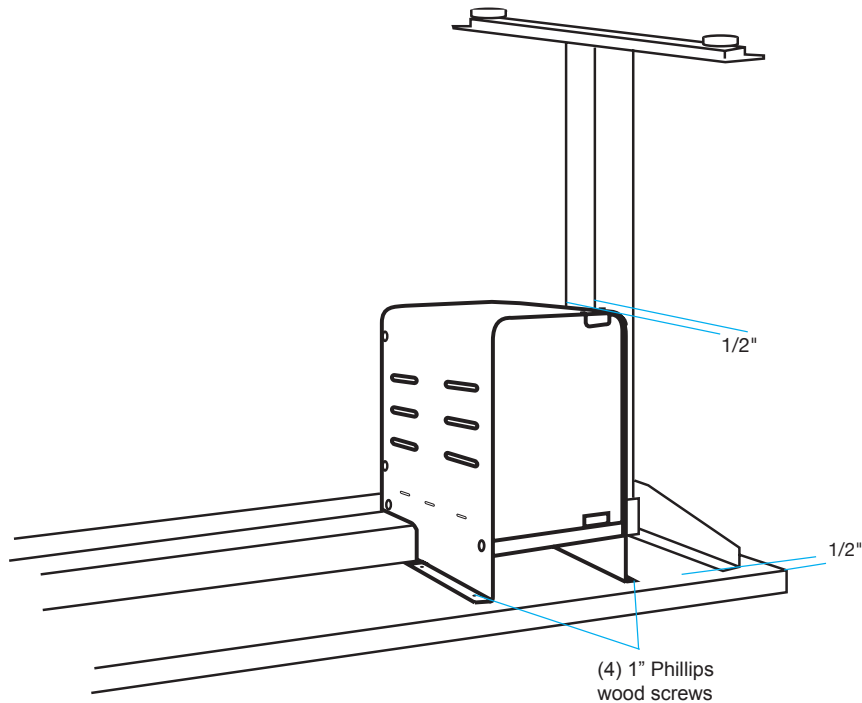


Fig. 1

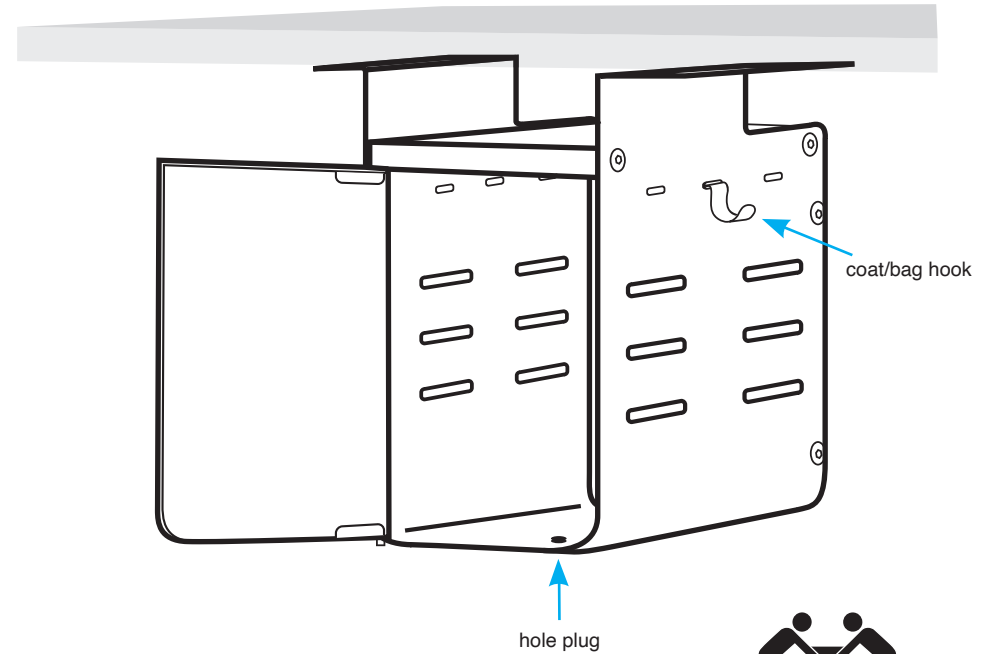


Fig. 2



**Cabinet Installation**

1. Carefully flip table upside down on soft surface to prevent damage.
2. Position Marty on left or right underside of table, front facing forward inset 1/2" from leg and table front.
3. Attach Marty to work surface using a #2 Phillips driver and (4) 1" Phillips wood screws.

**Do NOT use the 1" long Phillips wood screws to attach Marty to thinner work surfaces as they may penetrate work surface.**

4. Carefully return table to upright position.
5. Insert hole plug on opposing side of bottom hinge.
6. Install coat/bag hook conveniently in one of several designated slots.

Tools Needed:

Hardware Included:



For proper care and cleaning instructions visit <http://go2wfh.com/resources>