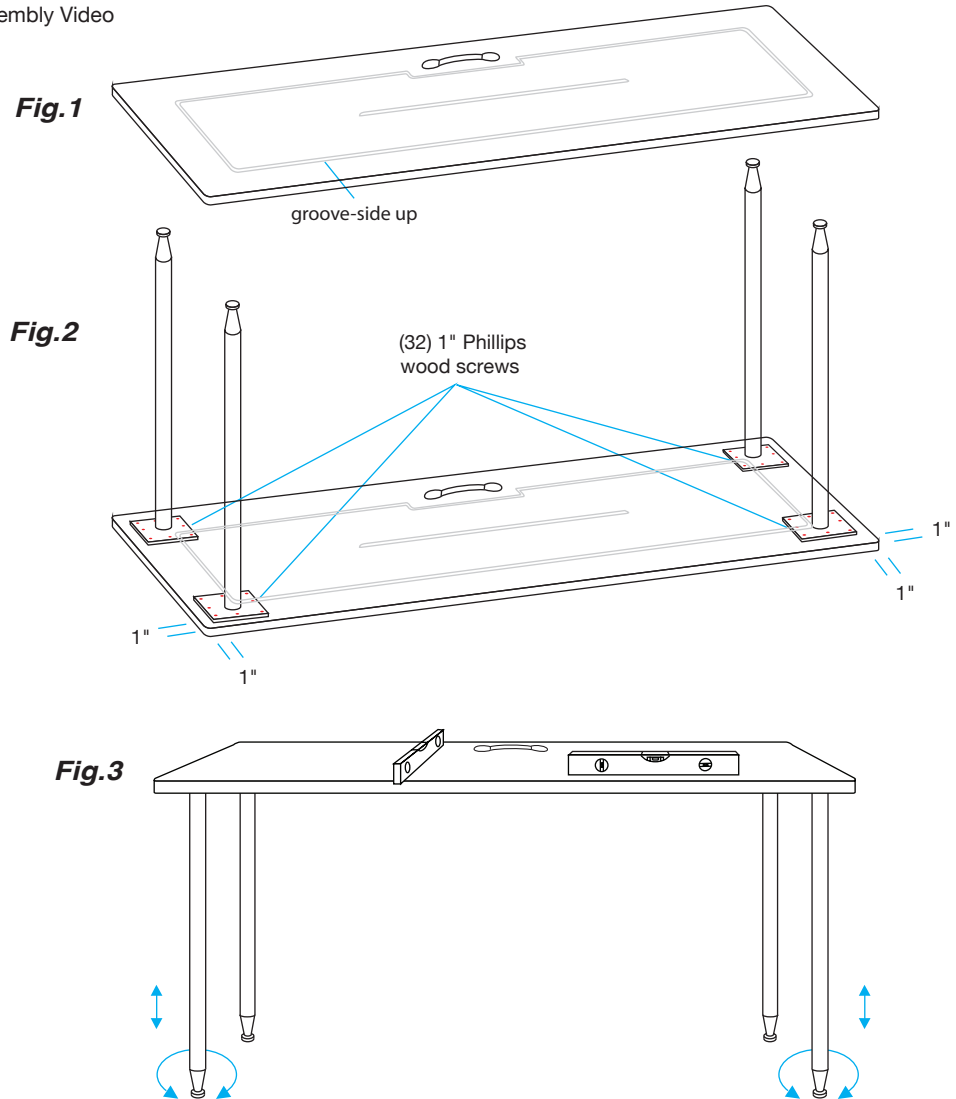




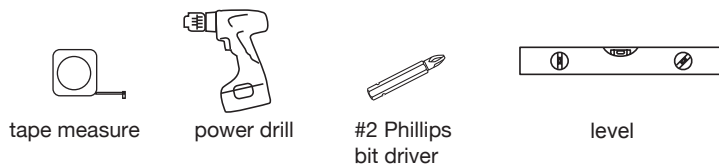
Assembly Video

Assembly Instructions:

1. Place desk work surface on a soft surface to protect from damage – groove-side up. *Fig.1*
2. Position each leg 1" inset on two sides and align with predrilled holes. Fasten leg using the eight 1" Phillips wood screws provided. Repeat for remaining legs. *Fig.2*
3. Carefully flip desk upright. *Fig.3*
4. Move desk to desired location.
5. Place level on work surface and turn glides on each leg by hand until work surface is level. *Fig.3*



Tools Needed:



Hardware Included:



For proper care and cleaning instructions visit <http://go2wfh.com/resources>



Assembly Video

Assembly Instructions

1. Place work surface on a soft surface to protect from damage – groove-side up and grommet cutout towards back. *Fig. 1*
2. Remove all contents from bookcase including false floor and shelf. Carefully flip upside down onto work surface, with opening facing outward inset 1/2" from the front and sides. Align bookcase with pre-drilled holes and fasten using seven 5/8" Phillips wood screws. *Fig. 1*

Do NOT use the 1" Phillips wood screws to attach bookcase as they will penetrate work surface.

3. Position each leg 1" inset on two sides and align with predrilled holes. Fasten leg using eight 1" Phillips wood screws. Repeat for other leg. *Fig. 1*
4. Install the four leveling glides in the bottom of the bookcase, turning by hand. *Fig. 1*
5. Carefully flip desk assembly upright. *Fig. 2*
6. Move desk to desired location.
7. Place level on work surface and adjust for level both side-to-side and front-to-back. Leveling glides on both legs can be turned by hand as needed and four levelers located inside bookcase floor can be adjusted with a 1/4" hex socket driver. *Fig. 2*
8. Place false floor in bottom of bookcase. Install four shelf clips and shelf.

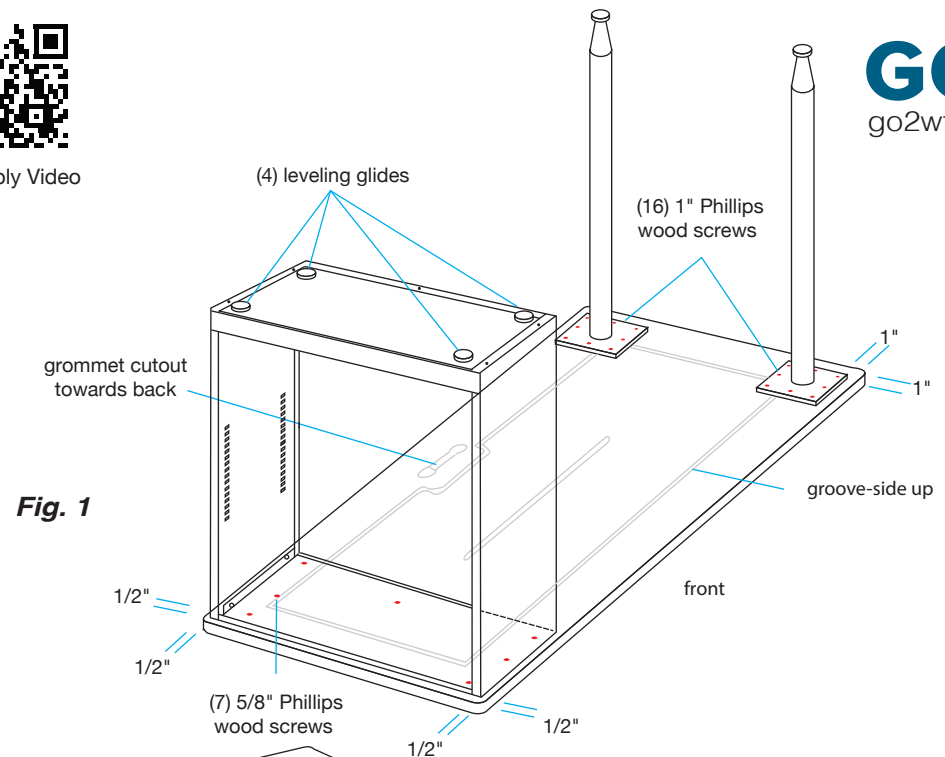


Fig. 1

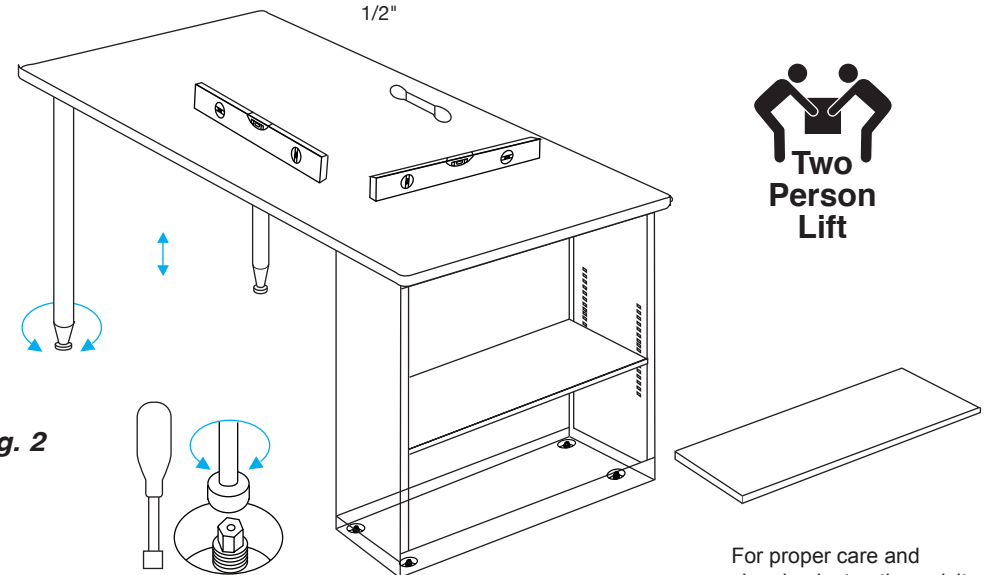
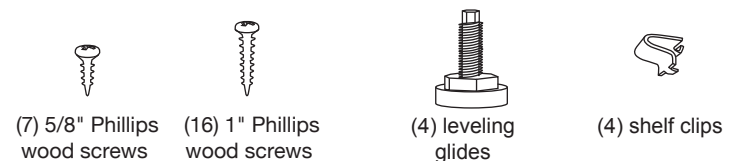


Fig. 2

Tools Needed:



Hardware Included:



For proper care and cleaning instructions visit <http://go2wfh.com/resources>

Assembly Instructions

1. Place work surface on a soft surface to protect from damage – groove-side up and grommet cutout towards back.
2. Remove all contents from locker including false floor and shelf. Close door and carefully flip locker upside down onto work surface, facing front with 1/2" inset on all three sides, and handle toward center of work surface. *Fig. 1*
3. Open door and align locker with pre-drilled holes. Fasten to work surface using six 5/8" Phillips wood screws. *Fig. 2*

Do NOT use the 1" long Phillips wood screws to attach locker as they will penetrate work surface.

4. Position leg 1" inset on two sides and align with predrilled holes. Fasten using eight 1" Phillips wood screws. Repeat for remaining leg. *Fig. 2*
5. Install four leveling glides in bottom of locker, turning by hand. *Fig. 2*
6. Close door and carefully flip desk assembly upright. Move to desired location. Open door.
7. Place level on work surface and adjust for level both side-to-side and front-to-back. Leveling glides on both legs can be turned by hand as needed and four levelers located inside locker floor can be adjusted with a 1/4" hex socket driver. *Fig. 3*
8. Place false floor in bottom of locker. Install four shelf clips and shelf.



Fig. 1



Fig. 2



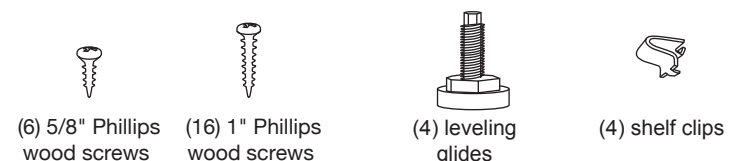
Fig. 3



Tools Needed:



Hardware Included:



For proper care and cleaning instructions visit <http://go2wfh.com/resources>