



Assembly Video

Assembly Instructions:

1. Remove caster kit from drawer.
2. Carefully rotate cabinet on its back and then onto its top, all while on a soft surface to prevent damage. Do not slide cabinet while on back or top to prevent damage.
3. Identify caster mounting locations – locking casters install toward front of cabinet and non-locking casters install toward rear of cabinet.
4. Install casters by angling and inserting caster plate into tab and onto embosses. *Fig. 1*
5. Fasten each caster with (1) Torx T20 screw. *Fig. 2*
6. Position fifth wheel to holes on bottom edge of lower drawer with lip facing in. Fasten using (2) T20 screws. *Fig. 3*
7. Carefully rotate cabinet on its back on a soft surface to prevent damage. Do not slide cabinet while on its back to prevent damage.
8. Carefully rotate cabinet upright onto casters.

Fig. 1

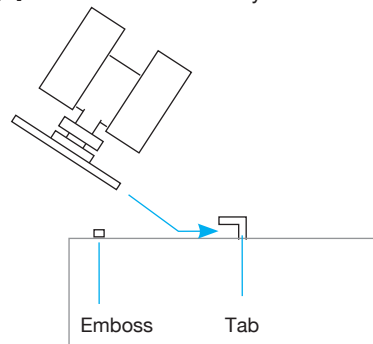


Fig. 2

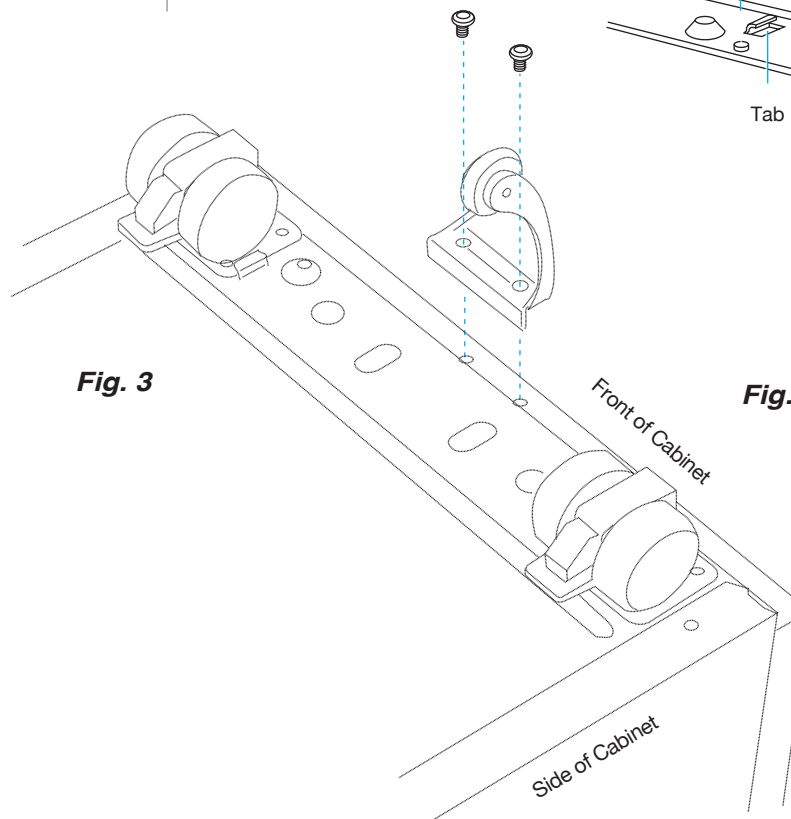
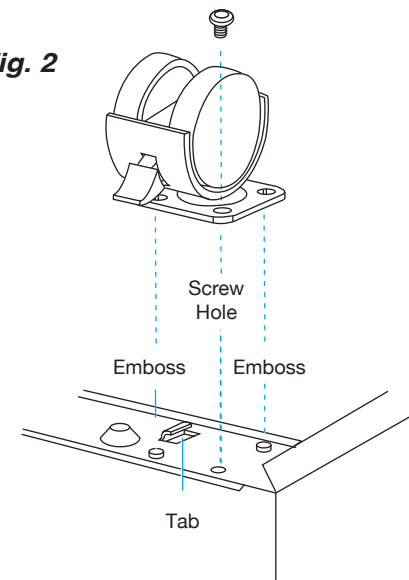
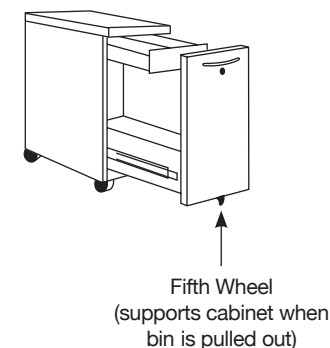


Fig. 3

Fig. 4



For proper care and cleaning instructions visit <http://go2wfh.com/resources>

Tool(s) needed:



Torx T20 screwdriver

Optional Tools:



Torx T20 bit

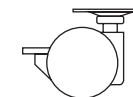


power drill

Hardware included:



(6) Torx T20 screw



(2) locking casters



(2) non-locking casters



(1) Fifth Wheel